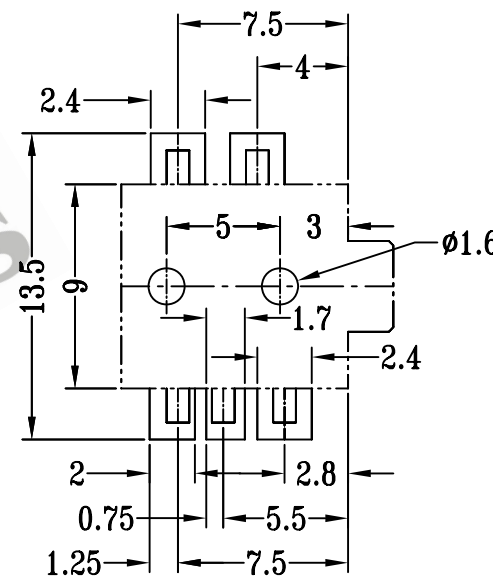
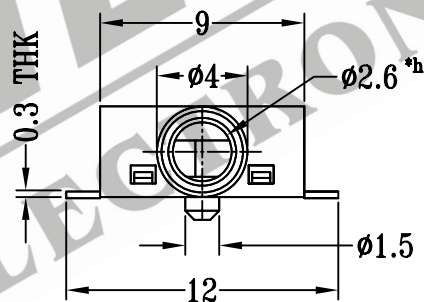
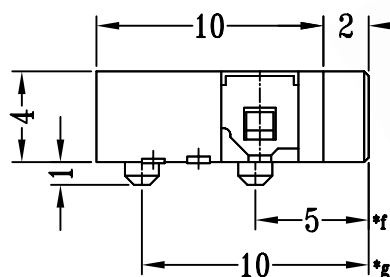
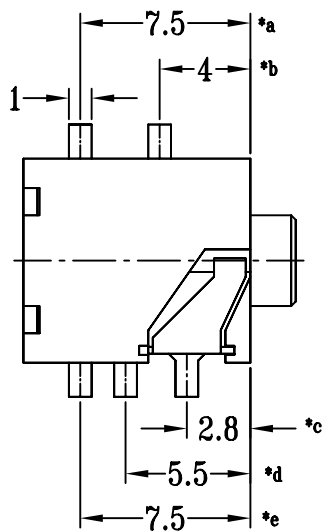
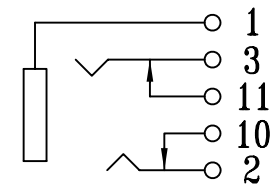


CAD FILE:



P.C.B LAYOUT



SCHEMATIC

注:带*表示关键尺寸(8个)

				TOLERANCE UNLESS SPECIFIED		SHENZHEN XIEJIA ELECTRONICS CO.,LTD.				
				WITHIN: 1.5±0.1mm		ISSUE	DATE	DESCRIPTIONS OF REVISION		APPD.
				OVER: 1.5±0.2mm						
8										
7										
6	SPRING TERMINAL D	STAINLESS STEEL	1	Au PLATED						
5	CASE	NYLON+F.G+94V0(FR52)	1	BLACK						
4	SPRING TERMINAL C	STAINLESS STEEL	1	Au PLATED	TITLE : PHONE JACK		UNIT : mm	DRWG NO.: XJ-DR-ST101-00		
3	TERMINAL B	BRASS STEEL	2	Au PLATED	MODEL: ST-101		SCALE: 3:1	DWN.	ZHOUYU	2003-7-8
2	TERMINAL A	PBS STRIP	1	Au PLATED				CHK'D	FANGYING	2003-7-8
1	COVER	NYLON+F.G (FR52)	1	BLACK				APPD.	KANGXINAN	2003-7-8
NO.	PARTS	MATERIALS	Q'TY	FINISH	ALL MATERIALS MUST BE COMPLIANT TO ROHS					